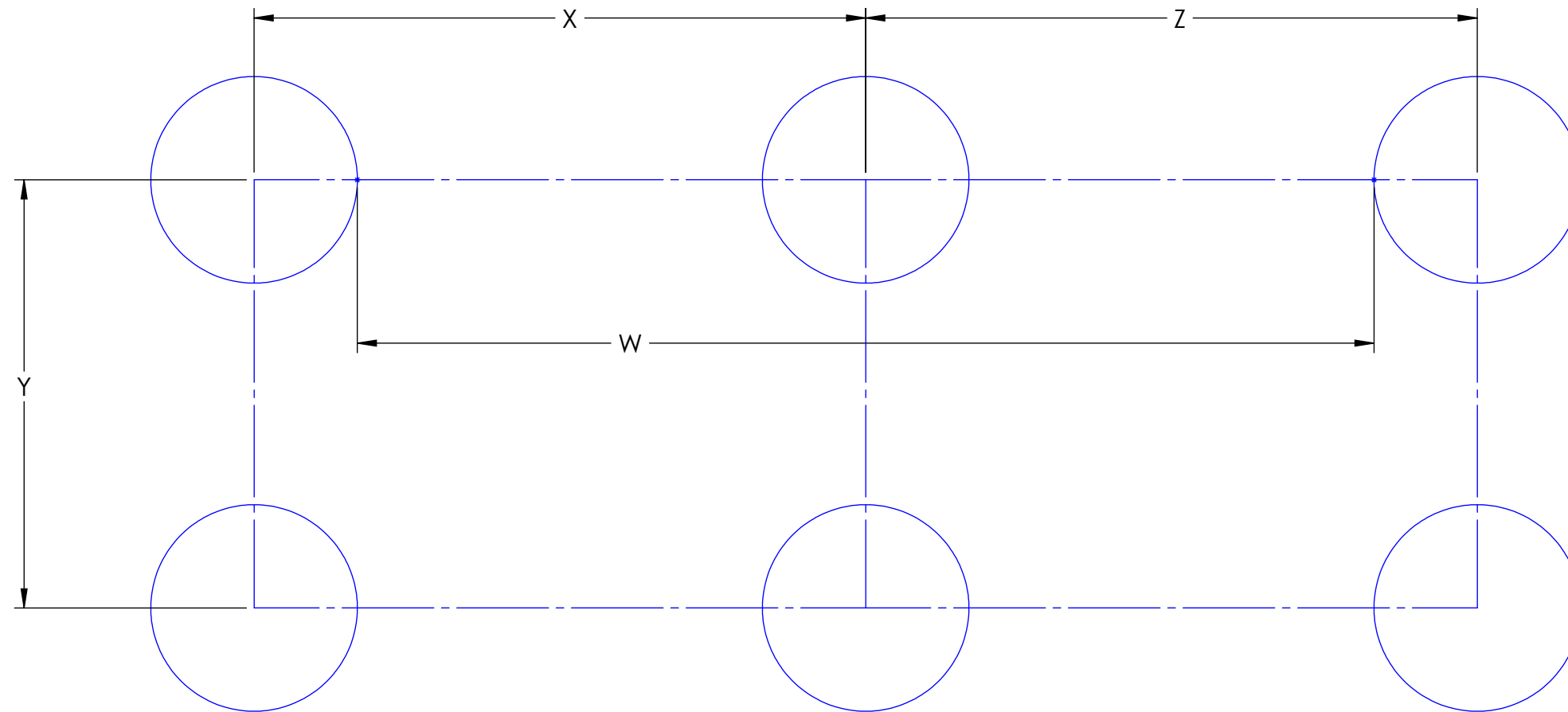


PILING DIAGRAM

BOW

STERN

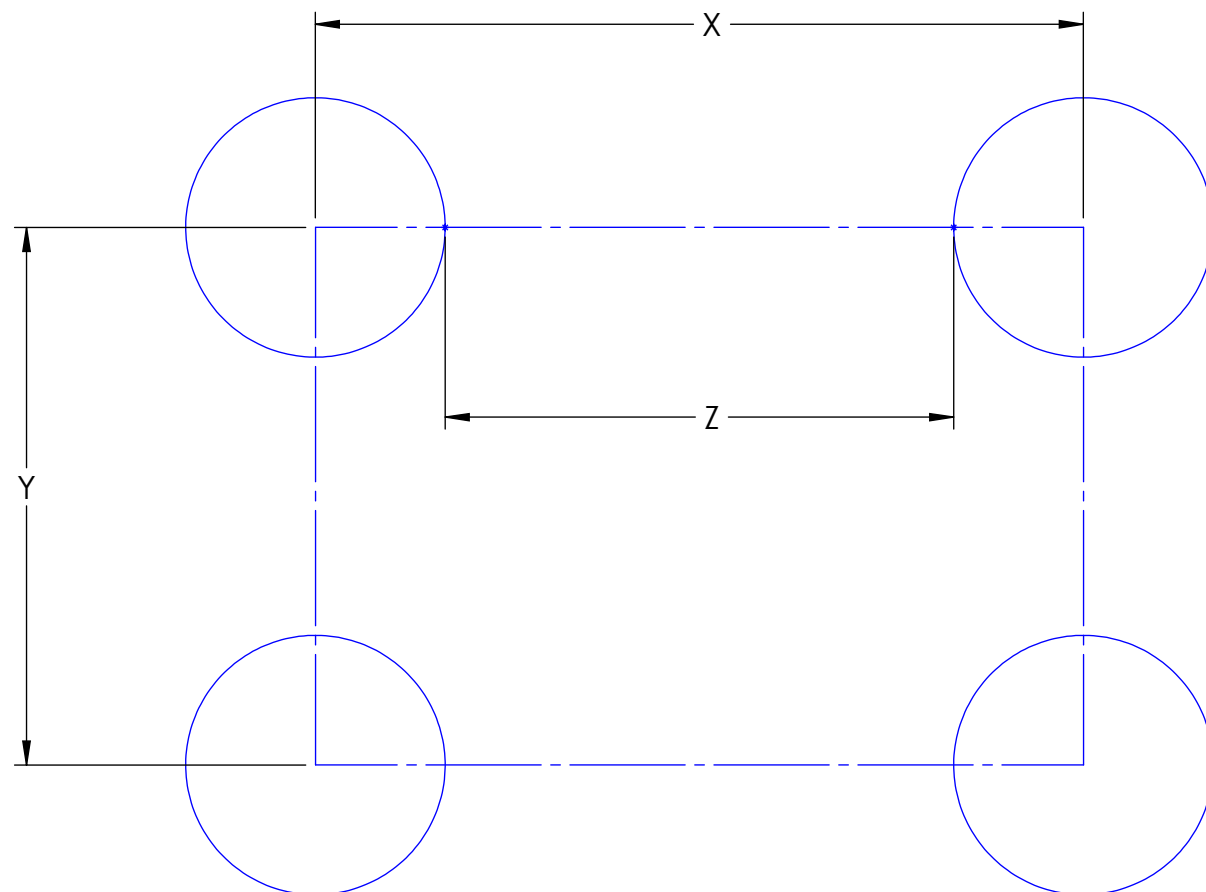


CAPACITY	W	X	Y	Z
16K Ø 10" PILING	164"	87"	14'	87"
20K Ø 10" PILING	179"	94.5"	16'	94.5"
20K Ø 12" PILING	179"	95.5"	16'	95.5"
24K Ø 10" PILING	179"	94.5"	16'	94.5"
24K Ø 12" PILING	179"	95.5"	16'	95.5"

DRAWN BY	SAM CHILDERS	DATE	9/15/2020	ALL OUT MARINE	
APPROVED BY	GREGORY D GAINER, P.E.	DATE	10/9/2020		
MATERIAL				TITLE	PILING DIAGRAM
FINISH				DRAWING NO.	REV
UNLESS OTHERWISE SPECIFIED: DIMENSIONS ARE IN INCHES TOLERANCES: ANGULAR: ± 1° TWO PLACE DECIMAL ± .015 THREE PLACE DECIMAL ± .005				THIRD ANGLE PROJECTION 	SCALE 8:1
DO NOT SCALE DRAWING				SHEET 1 OF 2	

PROPRIETARY AND CONFIDENTIAL
THE INFORMATION CONTAINED IN THIS DRAWING IS THE SOLE PROPERTY OF ALL OUT MARINE, LLC. OF TARPON SPRINGS, FL. ANY REPRODUCTION IN PART OR AS A WHOLE WITHOUT THE WRITTEN PERMISSION OF ALL OUT MARINE, LLC. IS STRICTLY PROHIBITED.

BOW



STERN

CAPACITY	X	Y	Z
10-13K Ø 10" PILING	138"	150" (12' 6")	128"
16K Ø 10" PILING	138"	168" (14')	128"
20K Ø 10" PILING	138"	192" (16')	128"
24K Ø 12" PILING	140"	192" (16')	128"

DRAWN BY	SAM CHILDERS	DATE	9/15/2020	ALL OUT MARINE		
APPROVED BY	GREGORY D GAINER, P.E.	DATE	10/9/2020			
MATERIAL				TITLE	PILING DIAGRAM	
FINISH				SIZE	B	
<small>UNLESS OTHERWISE SPECIFIED: DIMENSIONS ARE IN INCHES TOLERANCES: ANGULAR: ± 1° TWO PLACE DECIMAL ± .015 THREE PLACE DECIMAL ± .005</small>				<small>THIRD ANGLE PROJECTION</small> 	SCALE	8:1
					DO NOT SCALE DRAWING	

PROPRIETARY AND CONFIDENTIAL
 THE INFORMATION CONTAINED IN THIS DRAWING IS THE SOLE PROPERTY OF ALL OUT MARINE, LLC. OF TARPON SPRINGS, FL. ANY REPRODUCTION IN PART OR AS A WHOLE WITHOUT THE WRITTEN PERMISSION OF ALL OUT MARINE, LLC. IS STRICTLY PROHIBITED.