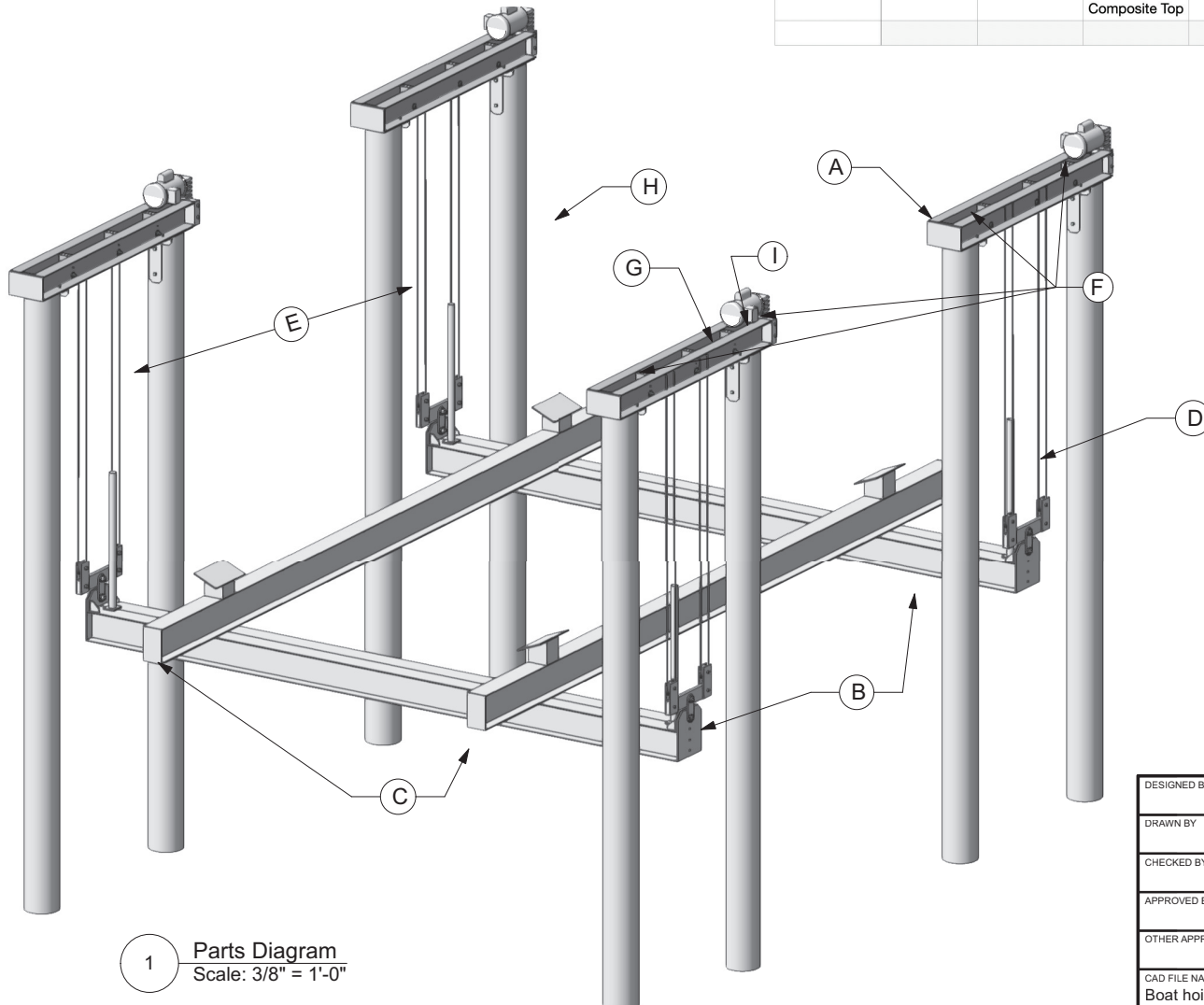


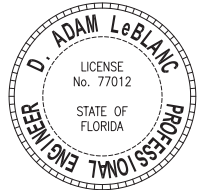
	A	B	C	D	E	F	G	H	I
Lift Capacity (lbs)	Top Beam. Channel (2)	Cradle I Beam (2)	Bunks	Cable Size	Cable Spread	Drive System	Drive Shaft	Guide Post Hgt.	Winder DIA
32,000lb	72"L x 11.5" W x 8" H	12" W x 10' H x 16' L	10" H x 20' L 1" x 20' L I Beam w/ Composite Top	8 - 5/16" x 36' 2 Part Pickup	156"	450:1 Gearing w/1hp HD motor	1.900" Schedule 80 Galv. Pipe	18"H Sch 80. 2" DIA x 96" 6061 Aluminum Sch 40 Insert. 10'x2" PVC Cover	2.375" OD Aluminum
40,000lb	72"L x 11.5" W x 8" H	12" W x 10' H x 16' L	10" H x 20' L 1" x 20' L I Beam w/ Composite Top	8 - 5/16" x 36' 2 Part Pickup	156"	450:1 Gearing w/1hp HD motor	1.900" Schedule 80 Galv. Pipe	18"H Sch 80. 2" DIA x 96" 6061 Aluminum Sch 40 Insert. 10'x2" PVC Cover	2.375" OD Aluminum



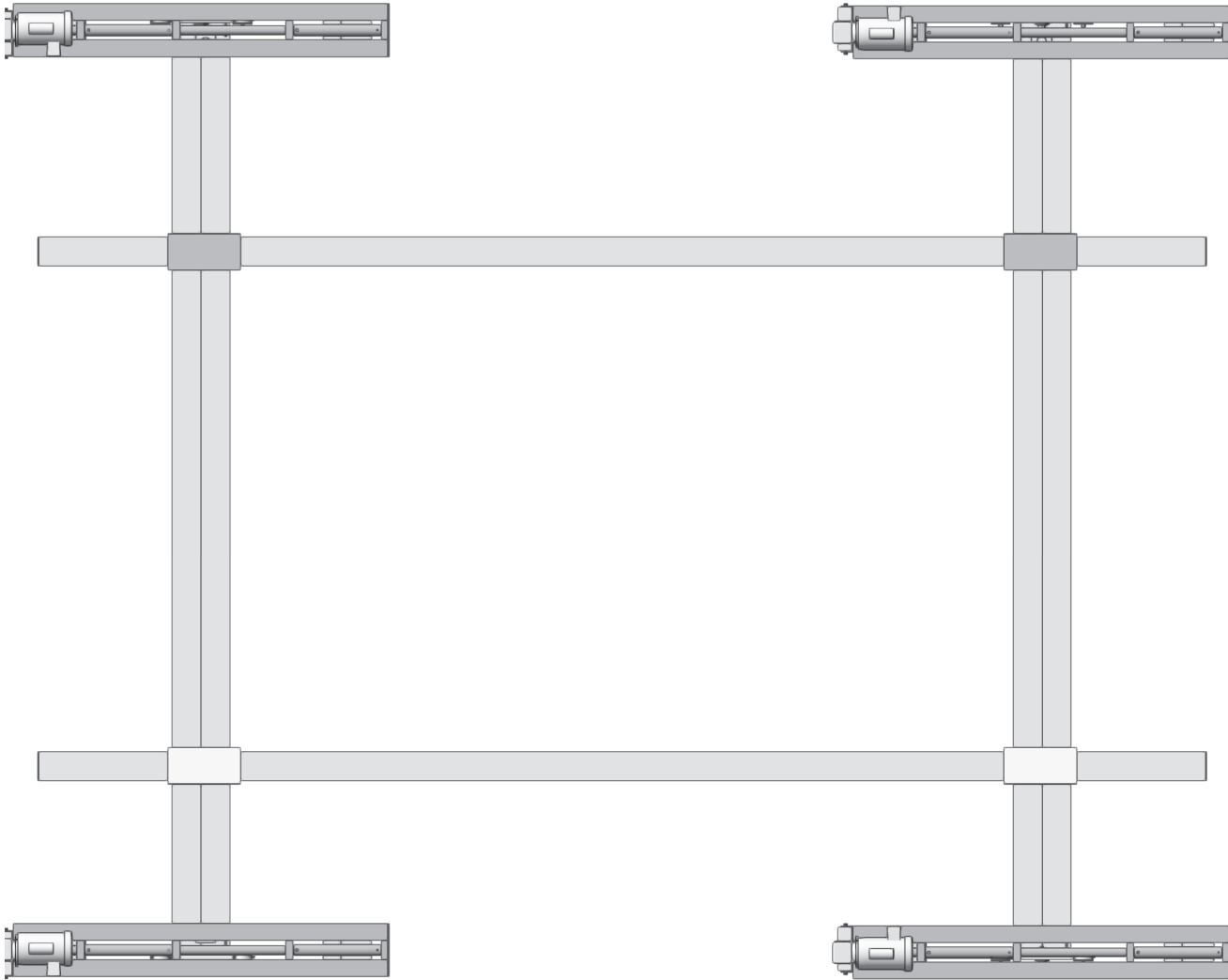
Structure is designed to withstand 145 mph winds, Exposure "D" in accordance with ASCE 7-16 and 2020 Florida Building Code, 7th Edition provided boats are not stored on lifts when high winds are present or during high wind events when lift is in its full "UP" position. Bottom penetration to be in conformance with local Code/Regulations and a minimum of 12" into subsurface. All structural components are 6061-T6 aluminum extrusions and all fasteners are 316 Stainless Steel.

1 Parts Diagram
Scale: 3/8" = 1'-0"



D. ADAM LeBLANC, PE #77012
SPECIALTY ENGINEERING AND DESIGN LLC
1599 SW 30th AVE.
SUITE #1
BOYNTON BEACH, FL 33426
DADE - BROWARD - PALM BEACH
561 - 752 - 5440 OFFICE
561 - 752 - 5542 FAX

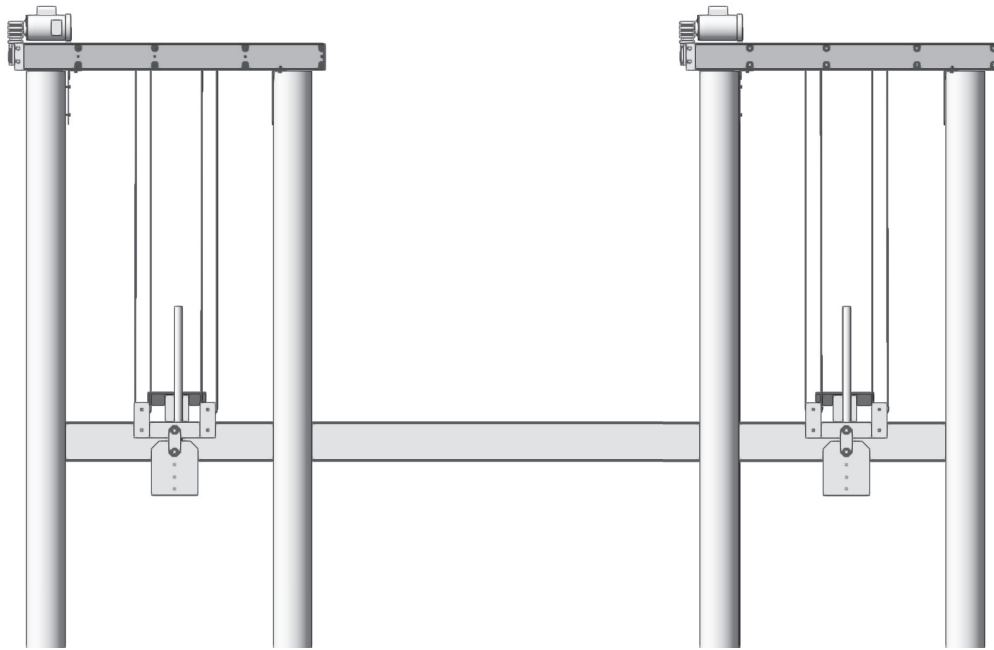


DESIGNED BY				
DRAWN BY				
CHECKED BY	TITLE			
APPROVED BY	3-D			
OTHER APPROVALS	SIZE	CAGE CODE	DRAWING NUMBER	REV
CAD FILE NAME	SCALE	EST. WGT	SHEET	1.1 OF 0
Boat hoist.40000.vwx				

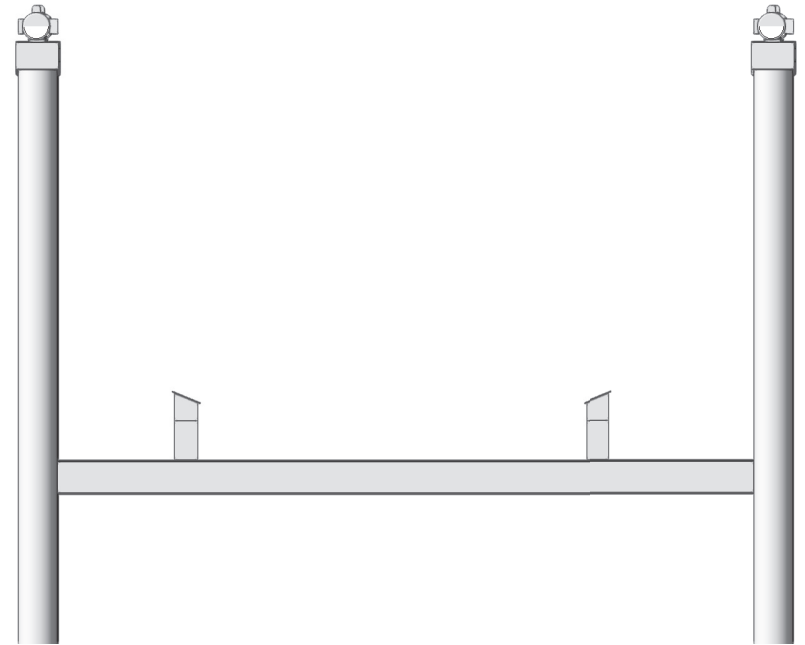


1 Top
Scale: 1/2" = 1'-0"


DESIGNED BY	 			
DRAWN BY				
CHECKED BY	TITLE			
APPROVED BY	Plan			
OTHER APPROVALS	SIZE	CAGE CODE	DRAWING NUMBER	REV
CAD FILE NAME Boat hoist.40000.vwx	SCALE	EST. WGT	SHEET 1.2 OF 0	



1 Front
Scale: 3/8" = 1'-0"



2 Right
Scale: 3/8" = 1'-0"

DESIGNED BY				
DRAWN BY				
CHECKED BY	TITLE			
APPROVED BY	Elevation			
OTHER APPROVALS	SIZE	CAGE CODE	DRAWING NUMBER	REV
CAD FILE NAME Boat hoist.40000.vwx	SCALE	EST. WGT	SHEET 1.3 OF 0	